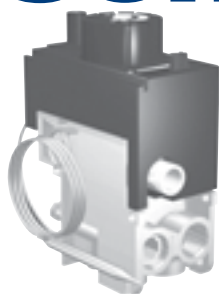


TECHNICAL FEATURES

Thermostatic

Controls



630 EUROSIT

710 MINISIT

Distribuito: CALOR SRL

Str. Progresului nr. 30-40, sector 5, Bucuresti

tel: 021.411.44.44, fax: 021.411.36.14

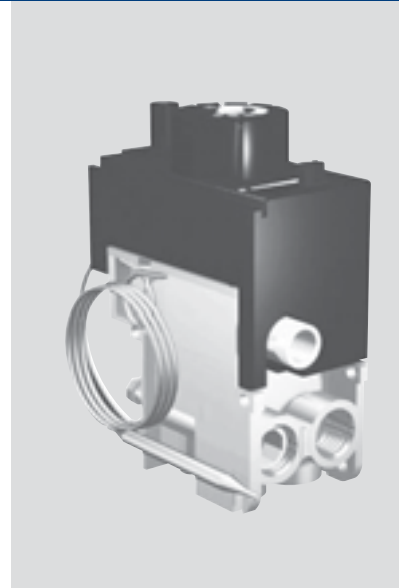
www.calorserv.ro - www.calor.ro



630 EUROSIT

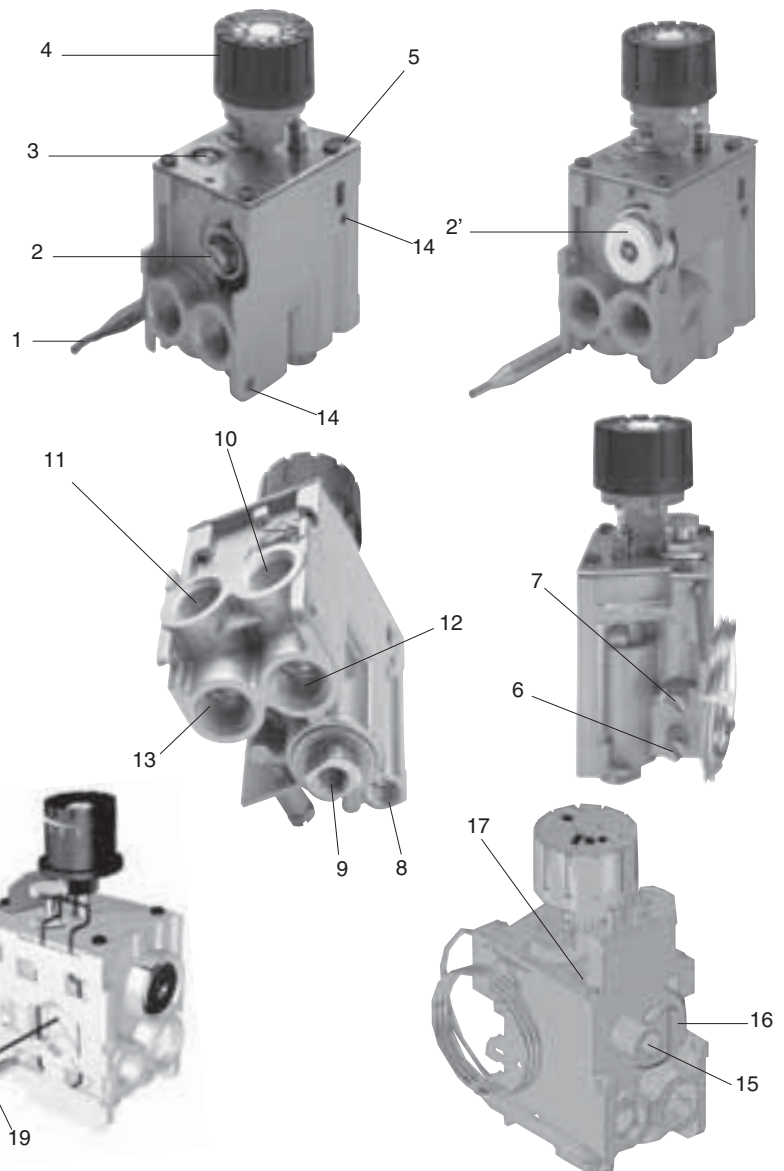
MAIN FEATURES

- Control knob with positions for off, pilot and temperature selection
- Thermoelectric flame supervision device with interlock (optional)
- Pressure regulator or alternatively flow adjuster
- Modulating and on-off thermostat
- Pilot outlet with pre-setting device of the gas flow
- Inlet and pilot filter
- Inlet and outlet pressure test point
- Side or bottom main gas inlet and outlet
- Main gas connections with threaded pipe or suitable for nut and olive



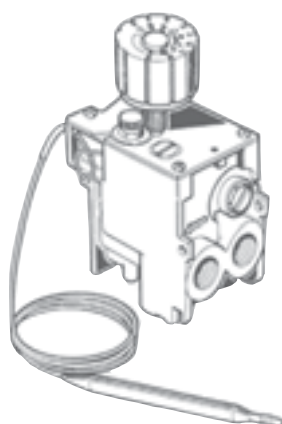
DESCRIPTION

1. Temperature sensor
2. Flow Adjustment
- 2'. Pressure regulator adjustment
3. Minimum flow adjustment
4. Control knob
5. Pilot flow adjustment
6. Inlet pressure test point
7. Outlet pressure test point
8. Pilot outlet
9. Thermocouple connection
10. Side outlet
11. Side inlet
12. Bottom outlet
13. Bottom inlet
14. Valve mounting holes
15. Auxiliary outlet
16. Auxiliary outlet flow adjustment
17. Auxiliary outlet minimum flow adjustment
18. Thermostat flange
19. Safety thermostat (ECO)

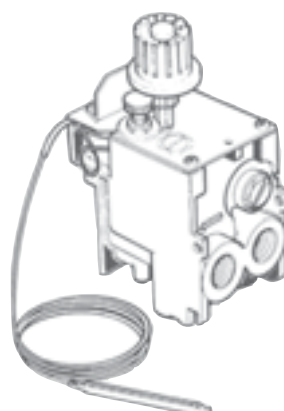


CONFIGURATIONS

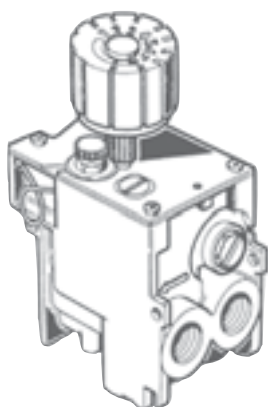
A



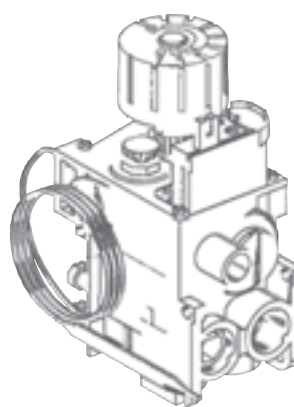
B



C



D



CODES

Codes	Valve working temperature range [°C]	RoHS Version	Valve configuration	TC + MU			SETTINGS			THERMOSTAT		
				Thermocouple connection (M)	ECO connection	Interlock	Maximum Flow adjuster	Pressure regulator	Minimum flow setting screw (D) [mm]	Thermostat range [°C]	Bulb dimensions (D, L) [mm]	Capillary dimensions (L) [mm]
0630001	0-80	A	M9x1	No	yes	>40 <200	FA Fitted 0945198 (80 °C)	Not Fitted	Minimum screw without hole	13÷38	8x120	1050
0630011	0-80	A	M9x1	No	yes	>40 <200	Not fitted	Not Fitted	Not fitted	13÷38	8x120	1050
0630012	0-80	A	M9x1	No	yes	>110 <340	no	no	no	40÷80	8x90	1050
0630013	0-80	A	M10x1	No	yes	>40 <200	Not fitted	Not Fitted	Not fitted	8÷33	8x120	1050
0630014	0-80	A	M9x1	No	yes	>40 <200	Not fitted	Not Fitted	Not fitted	13÷31	8x155	1050
0630015	0-80	A	M9x1	No	yes	>40 <200	FA Fitted 0945198 (80 °C)	Not Fitted	Fitted D=1,4	13÷48	8x95	1050
0630017	0-80	A	M9x1	No	yes	>40 <200	Not fitted	Not Fitted	Not fitted	6÷31	8x120	1050
0630018	0-80	A	M10x1	No	yes	>40 <200	Not fitted	Not Fitted	Not fitted	13÷31	8x155	1050
0630019	0-80	A	M9x1	No	yes	>40 <200	no	no	no	40÷80	8x90	1050
0630021	0-80	A	M10x1	No	yes	>40 <200	Not fitted	3-18 mbar	Fitted D=0,6	8÷33	8x120	1050
0630022	0-80	A	M10x1	No	yes	>40 <200	Not fitted	Not Fitted	Not fitted	8÷33	8x120	1050
0630023	0-80	A	M9x1	No	yes	>40 <200	Not fitted	3-18 mbar	Fitted D=2,0	13÷38	8x120	1050
0630024	0-80	A	M9x1	No	yes	>40 <200	Not fitted	8-37 mbar fitted	Fitted D=0,6	13÷38	8x120	1050
0630025	0-80	A	M10x1	No	yes	>40 <200	Not fitted	3-18 mbar	Not fitted	13÷38	8x120	1050
0630026	0-80	A	M10x1	No	yes	>40 <200	Not fitted	3-18 mbar	Not fitted	13÷38	8x120	1050
0630027	0-80	Yes	C	M9x1	No	yes	>40 <200	FA Fitted 0945198 (80 °C)	Fitted D=1,4	manual	/	/
0630029	0-80	A	M9x1	No	yes	>40 <200	Not fitted	3-18 mbar	Not fitted	13÷38	8x120	1050
0630031	0-80	A	M10x1	No	yes	>40 <200	Not fitted	Po=3,5" Pi=7" Q=38.000 BTU/h for NG	Fitted D=1,5	13÷38	8x120	1050
0630036	0-80	A	M9x1	No	yes	>110 <340	no		no	35÷75	8x90	1050
0630037	0-80	A	M9x1	No	yes	>40 <200	Not fitted	3-18 mbar	Not fitted	13÷38	8x120	1050
0630038	0-80	A	M9x1	No	yes	>40 <200	Not fitted	Po=9,8" Pi=7" Q=25.0000 BTU/h for NG	Minimum screw without hole	13÷38	8x120	1050
0630039	0-80	A	M10x1	No	yes	>40 <200	Not fitted	3-18 mbar	Minimum screw without hole	13÷38	8x120	1050
0630041	0-80	A	M9x1	No	yes	>40 <200	Not fitted	3-18 mbar	Fitted D=1,2	13÷38	8x120	1050
0630043	0-80	A	M9x1	No	yes	>40 <200	Not fitted	3-18 mbar	Fitted D=2,0	13÷38	8x120	1050
0630045	0-80	A	M9x1	No	yes	>40 <200	Not fitted	8-37 mbar fitted	Not fitted	13÷38	8x120	1050

PILOT			INLET					OUTLET					COVER		
Pilot connection	Pilot rate screw	Pilot Stop Knob	PTP	side thread	side plug	bottom thread	bottom plug	side thread	side plug	bottom thread	bottom plug	Plug on the box	outlet screen	Cover Piezo	zundsperr 7100326

NO (M10x1)	Fitted - undrilled	no	Standard screws	3/8 Rp	no	3/8 Rp	no	3/8 Rp	no	3/8 Rp	no	2	No	No cover	no
NO (M10x1)	Fitted - undrilled	no	Standard screws	3/8 Rp	no	3/8 Rp	no	3/8 Rp	no	3/8 Rp	no	2	No	No cover	no
NO (M10x1)		no	standard	3/8 Rp	no	3/8 Rp	no	3/8 Rp	no	3/8 Rp	no	2			no
NO (M10x1)	Fitted - undrilled	no	Standard screws	3/8 Rp	no	3/8 Rp	no	3/8 Rp	no	3/8 Rp	no	2	No	No cover	no
NO (M10x1)	Fitted - undrilled	no	Standard screws	3/8 Rp	no	3/8 Rp	no	3/8 Rp	no	3/8 Rp	no	2	No	No cover	no
M10x1, Ø4mm, 16mm long	Fitted - undrilled	no	Standard screws	3/8 Rp	no	3/8 Rp	fitted	3/8 Rp	fitted	3/8 Rp	no		No	Sand cover + Piezo	no
NO (M10x1)	Fitted - undrilled	no	Standard screws	3/8 Rp	no	3/8 Rp	no	3/8 Rp	no	3/8 Rp	no	2	No	No cover	no
NO (M10x1)	Fitted - undrilled	no	Standard screws	3/8 Rp	no	3/8 Rp	no	3/8 Rp	no	3/8 Rp	no	2	No	No cover	no
NO (M10x1)		no	standard	3/8 Rp	no	3/8 Rp	no	3/8 Rp	no	3/8 Rp	no	2			no
M10x1, Ø4mm, 16mm long	Fitted - undrilled	no	Standard screws	3/8 Rp	no	3/8 Rp	fitted	3/8 Rp	fitted	3/8 Rp	no		No	No cover	no
M10x1, Ø4mm, 16mm long	Fitted - undrilled	no	Standard screws	3/8 Rp	fitted	3/8 Rp	no	3/8 Rp	no	3/8 Rp	fitted		No	No cover	no
M10x1, Ø6mm, 16mm long	Fitted - undrilled	no	Standard screws	3/8 Rp	no	3/8 Rp	fitted	3/8 Rp	fitted	3/8 Rp	no		No	No cover	no
NO (M10x1)	Fitted - undrilled	no	Standard screws	3/8 Rp	no	3/8 Rp	no	3/8 Rp	fitted	3/8 Rp	no		No	No cover	no
NO (M10x1)	Fitted - undrilled	no	Standard screws	3/8 Rp	no	3/8 Rp	fitted	3/8 Rp	fitted	3/8 Rp	no		No	No cover	no
NO (M10x1)	Fitted - undrilled	no	Standard screws	3/8 Rp	fitted	3/8 Rp	no	3/8 Rp	fitted	3/8 Rp	no		No	No cover	no
NO (M10x1)	Fitted - undrilled	no	Standard screws	3/8 Rp	no	3/8 Rp	fitted	3/8 Rp	fitted	3/8 Rp	no		No	Sand cover + Piezo	no
NO (M10x1)	Fitted - undrilled	no	Standard screws	3/8 Rp	no	3/8 Rp	no	3/8 Rp	no	3/8 Rp	no	2	No	No cover	no
M10x1, Ø4mm, 16mm long	Fitted - undrilled	no	Standard screws	3/8 Rp	fitted	3/8 Rp	no	3/8 Rp	no	3/8 Rp	fitted		No	Sand cover + Piezo	no
NO (M10x1)		no	standard	3/8 Rp	no	3/8 Rp	no	3/8 Rp	no	3/8 Rp	no	2			no
NO (M10x1)	Fitted - undrilled	no	Standard screws	3/8 Rp	no	3/8 Rp	no	3/8 Rp	no	3/8 Rp	no		No	No cover	no
M10x1, Ø1/4, 16 mm long	Fitted - undrilled	no	Standard screws	3/8 Rp	no	3/8 Rp	no	3/8 Rp	no	3/8 Rp	no	2	No	No cover	no
NO (M10x1)	Fitted - undrilled	no	Standard screws	3/8 Rp	fitted	3/8 Rp	no	3/8 Rp	no	3/8 Rp	fitted		No	No cover	no
M10x1, Ø6mm, 16mm long	Fitted - undrilled	no	Standard screws	3/8 Rp	no	3/8 Rp	fitted	3/8 Rp	fitted	3/8 Rp	no		No	No cover	no
NO (M10x1)	Fitted - undrilled	no	Standard screws	3/8 Rp	no	3/8 Rp	fitted	3/8 Rp	fitted	3/8 Rp	no		No	No cover	no
NO (M10x1)	Fitted - undrilled	no	Standard screws	3/8 Rp	no	3/8 Rp	no	3/8 Rp	no	3/8 Rp	no		No	No cover	no

Codes	Valve working temperature range [°C]	RoHS Version	Valve configuration	TC + MU			SETTINGS				THERMOSTAT		
				Thermocouple connection (M)	ECO connection	Interlock	Magnet Unit [Drop out- hold in current, mA]	Maximum Flow adjuster	Pressure regulator	Minimum flow setting screw (D) [mm]	Thermostat range [°C]	Bulb dimensions (D, L) [mm]	Capillary dimensions (L) [mm]

0630046	0-80	A	M9x1	No	yes	>40 <200	FA Fitted 0945198 (80 °C)	Not Fitted	Minimum screw without hole	13÷38	8x120	1050
0630047	0-80	A	M10x1	No	yes	>40 <200	Not fitted	Not Fitted	Not fitted	13÷38	8x120	1050
0630052	0-80	C	M9x1	No	no	>40 <200	FA Fitted 0945198 (80 °C)	Not Fitted	Fitted D=1,4	manual	/	/
0630054	0-80	A	M9x1	No	no	>40 <200	Not fitted	Not Fitted	Not fitted	13÷38	8x120	1050
0630057	0-80	A	M9x1	No	yes	>40 <200	FA Fitted 0945198 (80 °C)	Not Fitted	Fitted D=1,70	manual	/	/
0630058	0-80	A	M9x1	No	yes	>40 <200	FA Fitted 0945198 (80 °C)	Not Fitted	Fitted D=1,4	manual	/	/
0630061	0-80	A	M10x1	No	yes	>40 <200	Not fitted	3-18 mbar	Fitted D=1,4	13÷38	8x120	1050
0630063	0-80	A	M9x1	No	yes	>40 <200	Standard Pressure regulator 3-18 mbar		Minimum screw without hole	40÷90	8x95	1000
0630064	0-80	A	M10x1	No	yes	>40 <200	Not fitted	3-18 mbar	Not fitted	8÷33	8x120	1050
0630065	0-80	A	M10x1	No	yes	>40 <200	Not fitted	3-18 mbar	Not fitted	8÷33	8x120	1050
0630066	0-80	A	M10x1	No	yes	>40 <200	Not fitted	3-18 mbar	Not fitted	8÷33	8x120	1050
0630068	0-80	A	M9x1	No	yes	>40 <200	Standard Pressure regulator 3-18 mbar		Fitted without calibrated hole (0945600)	40÷90	8x95	1000
0630093	0-80	A	M9x1	No	yes	>40 <200	Not fitted	3-18 mbar	Fitted without calibrated hole (0945600)	13÷38	8x120	1050
0630094	0-80	A	M8x1	No	yes	>80 <200	Not fitted	Not Fitted	Not fitted	13÷38	8x120	1050
0630095	0-80	A	11/32" ASA	92°C calibration	yes	>40 <200	Not fitted	10"(Pi=12" Q=39.000BTU/h) for LPG	Minimum screw without hole	40÷72	8x90	1050
0630096	0-80	A	M9x1	No	yes	>40 <200	Not fitted	3-18 mbar	Fitted without calibrated hole (0945600)	40÷80	8x90	1050
0630100	0-80	A	M9x1	No	yes	>40 <200	Not fitted	no	Not fitted	40÷72	8x90	1050
0630101	0-80	A	11/32" ASA	Yes	yes	>40 <200	Not fitted		Minimum screw without hole	40÷72	8x90	1050
0630102	0-80	A	M10x1	Yes	yes	>40 <200		P.R. standard version 3-18mbar	Minimum screw without hole	40÷72	8x90	1050
0630103	0-80	A	M10x1	Yes	yes	>40 <200	Fitted screw (0945261 Drilled 2x2,8)		Minimum screw without hole	40÷72	8x90	1050
0630104	0-80	A	M9x1	No	yes	>40 <200	Not fitted	no	Minimum screw without hole	40÷72	8x90	1050

PILOT			INLET					OUTLET					COVER		
Pilot connection	Pilot rate screw	Pilot Stop Knob	PTP	side thread	side plug	bottom thread	bottom plug	side thread	side plug	bottom thread	bottom plug	Plug on the box	outlet screen	Cover Piezo	zundspere 7100326

M10x1, Ø1/4, 16 mm long	Fitted - undrilled	no	Standard screws	3/8 Rp	no	3/8 Rp	no	3/8 Rp	no	3/8 Rp	no	2	No	No cover	no
NO (M10x1)	Fitted - undrilled	no	Standard screws	3/8 Rp	no	3/8 Rp	no	3/8 Rp	no	3/8 Rp	no	2	No	No cover	no
NO (M10x1)	Fitted - undrilled	yes	Standard screws	3/8 Rp	fitted	3/8 Rp	no	3/8 Rp	no	3/8 Rp	fitted		No	Black cover+piezo	yes
NO (M10x1)	Fitted - undrilled	yes	Standard screws	3/8 Rp	no	3/8 Rp	no	3/8 Rp	no	3/8 Rp	no	2	No	Black cover with white index+piezo+fixing screw 36mm	yes
NO (M10x1)	Fitted - undrilled	no	Standard screws	3/8 Rp	no	3/8 Rp	no	3/8 Rp	no	3/8 Rp	no	2	No	Sand cover + Piezo	no
NO (M10x1)	Fitted - undrilled	no	Standard screws	3/8 Rp	no	3/8 Rp	fitted	3/8 Rp	fitted	3/8 Rp	no		No	Black cover+piezo	no
M10x1, Ø4mm, 16mm long	Fitted - undrilled	yes	Standard screws	3/8 Rp	no	3/8 Rp	fitted	3/8 Rp	no	3/8 Rp	fitted		No	Black cover with white index+piezo+fixing screw 33mm	no
NO (M10x1)	Fitted - undrilled	no	standard	3/8 Rp	no	3/8 Rp	no	3/8 Rp	no	3/8 Rp	no	2		No cover	no
NO (M10x1)	Fitted - undrilled	no	Standard screws	3/8 Rp	no	3/8 Rp	fitted	3/8 Rp	fitted	3/8 Rp	no		No	No cover	no
NO (M10x1)	Fitted - undrilled	no	Standard screws	3/8 Rp	fitted	3/8 Rp	no	3/8 Rp	no	3/8 Rp	fitted		No	No cover	no
M10x1, Ø6mm, 16mm long	Fitted - undrilled	no	Standard screws	3/8 Rp	no	3/8 Rp	no	3/8 Rp	no	3/8 Rp	no	2	No	No cover	no
NO (M10x1)		no	standard	3/8 Rp	no	3/8 Rp	no	3/8 Rp	no	3/8 Rp	no	2		Black cover+piezo	no
M10x1, Ø6mm, 16mm long	Fitted - undrilled	no	Standard screws	3/8 Rp	no	3/8 Rp	no	3/8 Rp	no	3/8 Rp	no	2	No	Sand cover+piezo	no
NO (M10x1)	Fitted - undrilled	no	Standard screws	3/8 Rp	no	3/8 Rp	no	3/8 Rp	no	3/8 Rp	no	2	No	No cover	no
M10x1, Ø1/4, 16 mm long	Without hole for pilot screw	no	Standard screws	3/8 Rp	no	3/8 Rp	fitted	3/8 Rp	fitted	3/8 Rp	no				no
NO (M10x1)		no	standard	3/8 Rp	no	3/8 Rp	fitted	3/8 Rp	fitted	3/8 Rp	no				no
NO (M10x1)	Fitted - undrilled	no	Standard screws	3/8 Rp	no	3/8 Rp	no	3/8 Rp	no	3/8 Rp	no	2			no
NO (M10x1)	Without hole for pilot screw	no	Standard screws	3/8 Rp	no	3/8 Rp	fitted	3/8 Rp	fitted	3/8 Rp	no				no
NO (M10x1)	Without hole for pilot screw	no	Standard screws	3/8 Rp	no	3/8 Rp	fitted	3/8 Rp	fitted	3/8 Rp	no				no
NO (M10x1)	Without hole for pilot screw	no	Standard screws	3/8 Rp	no	3/8 Rp	fitted	3/8 Rp	fitted	3/8 Rp	no				no
NO (M10x1)	Fitted - undrilled	no	Standard screws	3/8 Rp	no	3/8 Rp	no	3/8 Rp	no	3/8 Rp	no	2			no

Codes	Valve working temperature range [°C]	RoHS Version	Valve configuration	TC + MU			SETTINGS				THERMOSTAT		
				Thermocouple connection (M)	ECO connection	Interlock	Magnet Unit [Drop out- hold in current, mA]	Maximum Flow adjuster	Pressure regulator	Minimum flow setting screw (D) [mm]	Thermostat range [°C]	Bulb dimensions (D, L) [mm]	Capillary dimensions (L) [mm]
0630106	0-80	A	M10x1	Yes	yes	>40 <200	Not fitted	3-18 mbar	Minimum screw without hole	40÷72	8x90	1050	
0630151	0-80	A	11/32" ASA	Fitted 82°C	yes	>40 <200	Integral P.R. NG Po10 Pi12 Q800/h Black sticker	Minimum screw without hole	27÷65	8x72	240		
0630152	0-80	A	11/32" ASA	Fitted 82°C	yes	>40 <200	Integral P.R. NG Po=4,5mbar Pi=8 Q1,24 d0,6 Bleu	Minimum screw without hole	27÷65	8x72	240		
0630153	0-80	A	11/32" ASA	Fitted 82°C	yes	>40 <200	no	Minimum screw without hole	27÷65	8x72	240		
0630201	0-80	B	M9x1	No	yes	>40 <200	FA Fitted 0945198 (80 °C)	no	Fitted without calibrated hole (0945600)	100÷340	5x68	1500	
0630203	0-80	A	M9x1	No	yes	>40 <200	FA Fitted 0945198 (80 °C)	Not fitted	140÷380	5x68	1500		
0630204	0-80	A	M9x1	No	yes	>40 <200	Not fitted	Not fitted	30÷100	5x122	1050		
0630205	0-80	B	M9x1	No	yes	>40 <200	FA Fitted 0945198 (80 °C)	no	Not fitted	140÷340	4x72	1050	
0630206	0-80	A	M10x1	No	yes	>40 <200	FA Fitted 0945198 (80 °C)	Not fitted	100÷340	4x72	1050		
0630305	0-120	Yes	B	M9x1	No	no	>40 <200 Plug alum. fitted 0972068 (120°C)	no	Fitted without calibrated hole (0945628) 120°C version	80÷320	4x72	1050	
0630306	0-120	B	M9x1	No	no	>40 <200	Plug alum. fitted 0972068 (120°C)	Plug fitted 2145636 (120°C version)	90÷330	4x72	1050		
0630307	0-120	B	M9x1	No	no	>40 <200	Plug alum. fitted 0972068 (120°C)	no	Fitted with calibrated hole (0945638) 120°C version	100÷340	4x72	1050	
0630308	0-120	B	M9x1	No	no	>40 <200	Plug alum. fitted 0972068 (120°C)	Plug fitted 2145639 (120°C version)	80÷320	4x72	650		
0630310	0-120	B	M9x1	No	no	>40 <200	FA Fitted 0945222 (120°C)	no	Fitted without calibrated hole (0945628) 120°C version	100÷340	4x72	1050	
0630313	0-120	B	M9x1	No	no		FA Fitted 0945222 (120°C)	no	fitted	110÷190	4x202	1050	
0630317	0-120	B	M9x1	No	no	>40 <200	FA Fitted 0945222 (120°C)	no	Fitted without calibrated hole (0945628) 120°C version	100÷340	4x72	1050	
0630319	0-120	B	M9x1	No	no	>40 <200	Not fitted	no	Not fitted	manual	/	/	
0630325	0-80	Yes	B	M9x1	No	no	>40 <200	FA Fitted 0945198 (80 °C)	no	fitted without calibration hole	30÷100	5x122	1050
0630326	0-120	Yes	B	M9x1	No	no	>40 <200	FA Fitted 0945222 (120°C)	no	Fitted without calibrated hole (0945628) 120°C version	100÷340	4x72	1050
0630327	0-120	Yes	B	M9x1	No	no	>40 <200	FA Fitted 0945222 (120°C)	no	Fitted without calibrated hole (0945628) 120°C version	80÷320	4x72	1050

PILOT			INLET					OUTLET					COVER		
Pilot connection	Pilot rate screw	Pilot Stop Knob	PTP	side thread	side plug	bottom thread	bottom plug	side thread	side plug	bottom thread	bottom plug	Plug on the box	outlet screen	Cover Plezo	zundspere 7100326

NO (M10x1)	Fitted - undrilled	no	Standard screws	3/8 Rp	no	3/8 Rp	no	3/8 Rp	no	3/8 Rp	no	2		no
M10x1, Ø1/4, 16 mm long	Fitted - undrilled	no	Standard screws	3/8 18npt	no	3/8 18npt	no	3/8 18npt	yes	3/8 18npt	no			no
M10x1, Ø1/4, 16 mm long	Fitted - undrilled	yes	Standard screws	3/8 18npt	no	3/8 18npt	no	3/8 18npt	yes	3/8 18npt	no			no
M10x1, Ø1/4, 16 mm long	Fitted - undrilled	yes	Standard screws	3/8 18npt	no	3/8 18npt	no	3/8 18npt	yes	3/8 18npt	no			no
NO (M10x1)		no	Standard screws	3/8 Rp	no	3/8 Rp	no	3/8 Rp	no	3/8 Rp	no	2		no
NO (M10x1)		no	Standard screws	3/8 Rp	no	3/8 Rp	no	3/8 Rp	no	3/8 Rp	no	2		no
NO (M10x1)	Fitted - undrilled	no	standard	3/8 Rp	no	3/8 Rp	no	3/8 Rp	no	3/8 Rp	no	2		no
NO (M10x1)		no	Standard screws	3/8 Rp	no	3/8 Rp	no	3/8 Rp	no	3/8 Rp	no	2		no
NO (M10x1)		no	Standard screws	3/8 Rp	no	3/8 Rp	fitted	3/8 Rp	no	3/8 Rp	fitted			no
M10x1, Ø1/4, 16 mm long		no	Standard screws	3/8 Rp	no	3/8 Rp	no	3/8 Rp	no	3/8 Rp	no			no
7/16 24UNS, Ø 3/16, 15 mm long	Fitted - undrilled	no	captured screw	3/8 NPT	fitted	3/8 NPT	no	3/8 NPT	fitted	3/8 NPT	no			no
M10x1, Ø1/4, 16 mm long	Fitted - 16 mm long	no	Standard screws	3/8 Rp	fitted	3/8 Rp	no	3/8 Rp	no	3/8 Rp	fitted			no
7/16 24UNS, Ø 3/16, 15 mm long	Fitted - undrilled	no	captured screw	3/8 NPT	fitted	3/8 NPT	no	3/8 NPT	fitted	3/8 NPT	no			no
NO (M10x1)	Fitted - undrilled	no	Standard screws	3/8 Rp	no	3/8 Rp	no	3/8 Rp	no	3/8 Rp	no			no
NO (M10x1)	Fitted - undrilled	no	standard	3/8 Rp	no	3/8 Rp	no	3/8 Rp	no	3/8 Rp	no			no
M10x1, Ø1/4, 16 mm long		no	Standard screws	3/8 Rp	no	3/8 Rp	no	3/8 Rp	no	3/8 Rp	no	2		no
NO (M10x1)		no	Standard screws	3/8 Rp	no	3/8 Rp	no	3/8 Rp	no	3/8 Rp	no	2		no
NO (M10x1)	Fitted - undrilled	no	standard	3/8 Rp	no	3/8 Rp	no	3/8 Rp	no	3/8 Rp	no			no
NO (M10x1)		no	Standard screws	3/8 Rp	no	3/8 Rp	no	3/8 Rp	no	3/8 Rp	no			no
NO (M10x1)		no	Standard screws	3/8 Rp	no	3/8 Rp	no	3/8 Rp	no	3/8 Rp	no			no



Codes	Valve working temperature range [°C]	RoHS Version	Valve configuration	TC + MU				SETTINGS				THERMOSTAT		
				Thermocouple connection (M)	ECO connection	Interlock	Magnet Unit [Drop out- hold in current, mA]	Maximum Flow adjuster	Pressure regulator	Minimum flow setting screw (D) [mm]	Thermostat range [°C]	Bulb dimensions (D, L) [mm]	Capillary dimensions (L) [mm]	

0630328	0-120	Yes	B	M9x1	No	no	>40 <200	Not fitted	no	Fitted without calibrated hole (0945628) 120°C version	40÷280	4x72	1050
0630330	0-120	Yes	B	M9x1	No	no	>40 <200	Plug alum. fitted 0972068 (120°C)	no	Fitted without calibrated hole (0945628) 120°C version	60÷300	4x72	1050
0630331	0-120	Yes	B	M9x1	No	no	>40 <200	Plug alum. fitted 0972068 (120°C)	no	Fitted without calibrated hole (0945628) 120°C version	100÷340	4x72	1050
0630332	0-120	Yes	B	M9x1	No	no		FA Fitted 0945222 (120°C)	no	fitted	110÷190	4x202	1050
0630334	0-120		B	M9x1	No	no		Plug alum. fitted 0972068 (120°C)	no	fitted	110÷190	4x202	1050
0630335	0-120	Yes	B	M9x1	No	no	>40 <200	FA Fitted 0945222 (120°C)	no	Fitted without calibrated hole (0945628) 120°C version	40÷250	4x72	1050
0630336	0-120		B	M9x1	No	no	>40 <200	FA Fitted 0945222 (120°C)	no	Fitted without calibrated hole (0945628) 120°C version	100÷340	4x72	1050
0630337	0-120	Yes	B	M9x1	No	no	>40 <200	Plug alum. fitted 0972068 (120°C)	no	fitted	110÷190	4x202	1050
0630338	0-120		B	M9x1	No	no	>40 <200	Not fitted	no	Not fitted	manual	/	/
0630339	0-80		B	M9x1	No	no	>40 <200	FA Fitted 0945222 (120°C)	no	Fitted without calibrated hole (0945628) 120°C version	70÷310	4x72	1050
0630340	0-120		B	M9x1	No	no		FA Fitted 0945222 (120°C)			110÷190	6x102	
0630343	0-120		B	M9x1	No	no	>40 <200	Plug alum. fitted 0972068 (120°C)	no	Fitted without calibrated hole (0945628) 120°C version	100÷340	4x72	1050
0630344	0-80	Yes	B	M9x1	No	no	>40 <200	FA Fitted 0945198 (80 °C)	no	fitted without calibration hole	30÷100	5x122	1050
0630345	0-120	Yes	B	M9x1	No	no	>40 <200	FA Fitted 0945222 (120°C)	no	Fitted without calibrated hole (0945628) 120°C version	100÷340	4x72	1050
0630346	0-120	Yes	B	M9x1	No	no	>40 <200	FA Fitted 0945222 (120°C)	no	Fitted without calibrated hole (0945628) 120°C version	80÷320	4x72	1050
0630347	0-120		B	M9x1	No	no		Plug alum. fitted 0972068 (120°C)	no	fitted	110÷190	4x202	1050
0630348	0-120		B	M9x1	No	no	>40 <200	Not fitted	no	Fitted without calibrated hole (0945628) 120°C version	40÷280	4x72	1050
0630349	0-120		B	M9x1	No	no	>40 <200	Plug alum. fitted 0972068 (120°C)	no	Fitted without calibrated hole (0945628) 120°C version	100÷340	4x72	1050
0630412	0-80		B	M9x1	No	no	>40 <200	FA Fitted 0945198 (80 °C)	no	fitted without calibration hole	30÷100	5x122	1050
0630500	0-80		A	M8x1	No	yes	>40 <200	Plug allum. fitted 0972067 (80°C)	Not Fitted	Not fitted	13÷38	8x120	1050

PILOT			INLET					OUTLET					COVER		
Pilot connection	Pilot rate screw	Pilot Stop Knob	PTP	side thread	side plug	bottom thread	bottom plug	side thread	side plug	bottom thread	bottom plug	Plug on the box	outlet screen	Cover Plezo	zundsperr 7100326

NO (M10x1)		no	Standard screws	3/8 Rp	no	3/8 Rp	no	3/8 Rp	no	3/8 Rp	no	2			no
NO (M10x1)		no	Standard screws	3/8 Rp	no	3/8 Rp	no	3/8 Rp	no	3/8 Rp	no				no
NO (M10x1)		no	Standard screws	3/8 Rp	no	3/8 Rp	no	3/8 Rp	no	3/8 Rp	no				no
NO (M10x1)	Fitted - undrilled	no	standard	3/8 Rp	no	3/8 Rp	no	3/8 Rp	no	3/8 Rp	no				no
NO (M10x1)	Fitted - undrilled	no	standard	3/8 Rp	no	3/8 Rp	no	3/8 Rp	no	3/8 Rp	no				no
NO (M10x1)		no	Standard screws	3/8 Rp	no	3/8 Rp	no	3/8 Rp	no	3/8 Rp	no				no
M10x1, Ø1/4, 16 mm long		no	Standard screws	3/8 Rp	no	3/8 Rp	no	3/8 Rp	no	3/8 Rp	no	2			no
NO (M10x1)	Fitted - undrilled	no	standard	3/8 Rp	no	3/8 Rp	no	3/8 Rp	no	3/8 Rp	no				no
NO (M10x1)		no	Standard screws	3/8 Rp	no	3/8 Rp	no	3/8 Rp	no	3/8 Rp	no	2			no
NO (M10x1)		no	Standard screws	3/8 Rp	no	3/8 Rp	no	3/8 Rp	no	3/8 Rp	no	2			no
M10x1, Ø1/4, 16 mm long	Fitted - undrilled	no	standard	3/8 Rp	no	3/8 Rp	no	3/8 Rp	no	3/8 Rp	no	2			no
NO (M10x1)		no	Standard screws	3/8 Rp	no	3/8 Rp	no	3/8 Rp	no	3/8 Rp	no				no
NO (M10x1)	Fitted - undrilled	no	standard	3/8 Rp	no	3/8 Rp	no	3/8 Rp	no	3/8 Rp	no				no
NO (M10x1)		no	Standard screws	3/8 Rp	no	3/8 Rp	no	3/8 Rp	no	3/8 Rp	no				no
NO (M10x1)		no	Standard screws	3/8 Rp	no	3/8 Rp	no	3/8 Rp	no	3/8 Rp	no				no
NO (M10x1)	Fitted - undrilled	no	standard	3/8 Rp	no	3/8 Rp	no	3/8 Rp	no	3/8 Rp	no				no
NO (M10x1)		no	Standard screws	3/8 Rp	no	3/8 Rp	no	3/8 Rp	no	3/8 Rp	no	2			no
NO (M10x1)		no	Standard screws	3/8 Rp	no	3/8 Rp	no	3/8 Rp	no	3/8 Rp	no				no
NO (M10x1)	Fitted - undrilled	no	standard	3/8 Rp	no	3/8 Rp	no	3/8 Rp	no	3/8 Rp	no				no
7/16 24UNS, Ø 3/16, 15 mm long	Fitted 2 holes D=1,5mm	yes	captured screw	3/8 NPT	fitted	3/8 NPT	no	3/8 NPT	fitted	3/8 NPT	no		N° 1 in the box	No cover	no

Codes	Valve working temperature range [°C]	RoHS Version	Valve configuration	TC + MU			SETTINGS				THERMOSTAT		
				Thermocouple connection (M)	ECO connection	Interlock	Magnet Unit [Drop out- hold in current, mA]	Maximum Flow adjuster	Pressure regulator	Minimum flow setting screw (D) [mm]	Thermostat range [°C]	Bulb dimensions (D, L) [mm]	Capillary dimensions (L) [mm]
0630501	0-80	A	11/32" ASA	No	no	>65 < 170	Plug allum. fitted 0972067 (80°C)	Not Fitted	Fitted D=1,6	21÷46	8x120	1050	
0630502	0-80	Yes	A M8x1	No	yes	>40 <200	Plug allum. fitted 0972067 (80°C)	Not Fitted	Plug 0972057	13÷38	8x120	1050	
0630504	0-80	A	M8x1	No	yes	40 120	Plug allum. fitted 0972067 (80°C)	Not Fitted	Not fitted	13÷48	8x95	1050	
0630505	0-80	A		No	yes	>65 < 170	Plug allum. fitted 0972067 (80°C)	Not Fitted	Plug 0972057	13÷38	8x120	1050	
0630507	0-80	A	11/32" ASA	No	yes	>65 < 170	Plug allum. fitted 0972067 (80°C)		Not fitted	30÷100	5x122	1050	
0630508	0-80	A	11/32" ASA	No	yes	160 320	Not fitted	Po=10" Pi=12" Q=35.0000 BTU/h for LPG	Not fitted	13÷48	8x95	1050	
0630509	0-80	A	11/32" ASA	No	yes	>65 < 170	Not fitted	Po=10" Pi=12" Q=35.0000 BTU/h for LPG	Not fitted	13÷48	8x95	1050	
0630513	0-80	A	11/32" ASA	No	yes	>65 < 170	Not fitted	Po=3,5" Pi=7" Q=38.000 BTU/h for NG	Not fitted	13÷38	8x131	1050	
0630515	0-80	A	11/32" ASA	No	yes	160 320	Not fitted	Po=3,5" Pi=7" Q=27.000 BTU/h for NG	Not fitted	13÷48	8x95	1050	
0630516	0-80	A	11/32" ASA	No	yes	>65 < 170	Not fitted	Po=3,5" Pi=7" Q=27.000 BTU/h for NG	Not fitted	13÷48	8x95	1050	
0630519	0-80	A	11/32" ASA	No	yes	160 320	Not fitted	Po=3,5" Pi=7" Q=38.000 BTU/h for NG	Not fitted	13÷48	8x95	1050	
0630520	0-80	C	11/32" ASA	No	yes	>65 < 170	Not fitted	Po=10" Pi=12" Q=35.0000 BTU/h for LPG	Not fitted	manual	/	/	
0630522	0-80	C	M8x1	No	yes	>40 <200	Plug allum. fitted 0972067 (80°C)	Not Fitted	Not fitted	manual	/	/	
0630525	0-80	A	M8x1	No	yes	>40 <200	Plug allum. fitted 0972067 (80°C)	Not Fitted	Plug 0972057	13÷38	8x120	1050	
0630530	0-80	A	M8x1	No	yes	>80 <200	Plug allum. fitted 0972067 (80°C)	Not Fitted	Plug 0972057	13÷38	8x120	1050	

PILOT			INLET					OUTLET					COVER		
Pilot connection	Pilot rate screw	Pilot Stop Knob	PTP	side thread	side plug	bottom thread	bottom plug	side thread	side plug	bottom thread	bottom plug	Plug on the box	outlet screen	Cover Plezo	zundspere 7100326

7/16 24UNS, Ø1/4, 21 mm long	Fitted - undrilled	yes	captured screw	3/8 NPT	no	3/8 NPT	fitted	3/8 NPT	fitted	3/8 NPT	no			No cover	no
NO (7/16 24UNS)	Fitted 2 holes D=1,5mm	yes	captured screw	3/8 NPT	fitted	3/8 NPT	no	3/8 NPT	fitted	3/8 NPT	no	Screen in bottom outlet		No cover	no
NO (7/16 24UNS)	Fitted 2 holes D=1,5mm	yes	captured screw	3/8 NPT	fitted	3/8 NPT	no	3/8 NPT	no	3/8 NPT	fitted	N° 1 in the box		No cover	no
7/16 24UNS, Ø1/4, 21 mm long	Fitted 2 holes D=1,5mm	no	captured screw	3/8 NPT	fitted	3/8 NPT	no	3/8 NPT	fitted	3/8 NPT	no	No		No cover	no
7/16 24UNS, Ø1/4, 21 mm long	Fitted - drilled ø 2x1.5 mm	yes	standard	3/8 NPT	no	3/8 NPT	no	3/8 NPT	no	3/8 NPT	no	2 N° 1 in the box		No cover	no
7/16 24UNS, Ø1/4, 21 mm long	Fitted - undrilled	yes	captured screw	3/8 NPT	no	3/8 NPT	no	3/8 NPT	no	3/8 NPT	no	2 N° 1 in the box		No cover	no
7/16 24UNS, Ø1/4, 21 mm long	Fitted - undrilled	yes	captured screw	3/8 NPT	no	3/8 NPT	no	3/8 NPT	no	3/8 NPT	no	2 N° 1 in the box		No cover	no
7/16 24UNS, Ø1/4, 21 mm long	Fitted - undrilled	yes	captured screw	3/8 NPT	no	3/8 NPT	no	3/8 NPT	no	3/8 NPT	no	2 N° 1 in the box		No cover	no
7/16 24UNS, Ø1/4, 21 mm long	Fitted - undrilled	yes	captured screw	3/8 NPT	no	3/8 NPT	no	3/8 NPT	no	3/8 NPT	no	2 N° 1 in the box		No cover	no
7/16 24UNS, Ø1/4, 21 mm long	Fitted - undrilled	yes	captured screw	3/8 NPT	no	3/8 NPT	no	3/8 NPT	no	3/8 NPT	no	2 N° 1 in the box		No cover	no
7/16 24UNS, Ø1/4, 21 mm long	Fitted - undrilled	yes	captured screw	3/8 NPT	no	3/8 NPT	no	3/8 NPT	no	3/8 NPT	no	2 N° 1 in the box		No cover	no
7/16 24UNS, Ø1/4, 21 mm long	Fitted - undrilled	yes	captured screw	3/8 NPT	no	3/8 NPT	no	3/8 NPT	no	3/8 NPT	no	2 N° 1 in the box		No cover	no
7/16 24UNS, Ø 3/16, 15 mm long	Fitted 2 holes D=1,5mm	yes	captured screw	3/8 NPT	fitted	3/8 NPT	no	3/8 NPT	no	3/8 NPT	fitted	Screen in bottom outlet		No cover	no
NO (7/16 24UNS)	Fitted 2 holes D=1,5mm	yes	captured screw	3/8 NPT	fitted	3/8 NPT	no	3/8 NPT	fitted	3/8 NPT	no	Screen in bottom outlet		No cover	no
NO (7/16 24UNS)	Fitted 1 hole D=0,55mm	no	captured screw	3/8 NPT	fitted	3/8 NPT	no	3/8 NPT	fitted	3/8 NPT	no	No		No cover	no

Codes	Valve working temperature range [°C]	RoHS Version	Valve configuration	TC + MU			SETTINGS				THERMOSTAT		
				Thermocouple connection (M)	ECO connection	Interlock	Magnet Unit [Drop out- hold in current, mA]	Maximum Flow adjuster	Pressure regulator	Minimum flow setting screw (D) [mm]	Thermostat range [°C]	Bulb dimensions (D, L) [mm]	Capillary dimensions (L) [mm]
0630531	0-80	A	M8x1	No	no	>40 <200	Plug allum. fitted 0972067 (80°C)	Not Fitted	Plug 0972057	13÷38	8x120	1050	
0630534	0-80	A	M9x1	No	yes	>40 <200	Not fitted	Not Fitted	Plug 0972057	13÷38	8x120	1050	
0630536	0-80	A	M8x1	No	yes	>40 <200	Plug allum. fitted 0972067 (80°C)	Not Fitted	Plug 0972057	13÷38	8x120	1050	
0630540	0-80	A	11/32" ASA	No	yes	>65 < 170	Not fitted	Po=10" Pi=12" Q=35.0000 BTU/h for LPG	Not fitted	13÷48	8x95	1050	
0630541	0-80	A	11/32" ASA	No	yes	>65 < 170	Not fitted	Po=3,5" Pi=7" Q=27.000 BTU/h for NG	Not fitted	13÷48	8x95	1050	
0630542	0-80	C		No	yes	>65 < 170	Not fitted	Po=3,5" Pi=7" Q=38.000 BTU/h for NG	Not fitted	manual	/	/	
0630543	0-80	C	11/32" ASA	No	yes	>65 < 170	Not fitted	Po=10" Pi=12" Q=35.0000 BTU/h for LPG	Not fitted	manual	/	/	
0630544	0-80	A	M8x1	No	no	>40 <200	Plug allum. fitted 0972067 (80°C)	Not Fitted	Not fitted	13÷48	8x95	1050	
0630545	0-80	A	M8x1	No	no	>40 <200	Plug allum. fitted 0972067 (80°C)	Not Fitted	Not fitted	13÷48	8x95	1050	
0630546	0-80	A	M8x1	No	no	>40 <200	Plug allum. fitted 0972067 (80°C)	Not Fitted	Not fitted	13÷48	8x95	1050	
0630547	0-80	A	11/32" ASA	No	yes	>65 < 170	Plug allum. fitted 0972067 (80°C)	Not Fitted	Not fitted	13÷48	8x95	1050	
0630548	0-80	A	M8x1	No	yes	>80 <200	Not fitted	Po=3,5" Pi=7" Q=38.000 BTU/h for NG	Fitted D=2x2,4	13÷48	8x95	1050	
0630549	0-80	A	M8x1	No	yes	>80 <200	Not fitted	10"(Pi=12" Q=39.000BTU/h) for LPG	Fitted D=1,85	13÷48	8x95	1050	

PILOT			INLET					OUTLET					COVER		
Pilot connection	Pilot rate screw	Pilot Stop Knob	PTP	side thread	side plug	bottom thread	bottom plug	side thread	side plug	bottom thread	bottom plug	Plug on the box	outlet screen	Cover Plezo	zundsperre 7100326

7/16 24UNS, Ø 3/16, 15 mm long	Fitted 2 holes D=1,5mm	yes	captured screw	3/8 NPT	fitted	3/8 NPT	no	3/8 NPT	fitted	3/8 NPT	no	Screen in bottom outlet	No cover	no	
M10x1, N°1 plug per each valve in the carton	Fitted 2 holes D=1,5mm	no	captured screw	3/8 Rp	no	ASA	no	3/8 Rp	no	ASA	no	2	No	No cover	no
NO (7/16 24UNS)	Fitted 2 holes D=1,5mm	yes	captured screw	3/8 NPT	fitted	3/8 NPT	no	3/8 NPT	fitted	3/8 NPT	no	Screen in bottom outlet	No cover	no	
7/16 24UNS, Ø1/4, 21 mm long	Fitted - undrilled	yes	captured screw	3/8 NPT	no	3/8 NPT	no	3/8 NPT	no	3/8 NPT	no	2	N° 1 in the box	No cover	no
7/16 24UNS, Ø1/4, 21 mm long	Fitted - undrilled	yes	captured screw	3/8 NPT	no	3/8 NPT	no	3/8 NPT	no	3/8 NPT	no	2	N° 1 in the box	No cover	no
7/16 24UNS, Ø1/4, 21 mm long	Fitted - undrilled	yes	captured screw	3/8 NPT	no	3/8 NPT	no	3/8 NPT	no	3/8 NPT	no	2	N° 1 in the box	No cover	no
7/16 24UNS, Ø1/4, 21 mm long	Fitted - undrilled	yes	captured screw	3/8 NPT	no	3/8 NPT	no	3/8 NPT	no	3/8 NPT	no	2	N° 1 in the box	No cover	no
NO (7/16 24UNS)	Without hole for pilot screw	yes	captured screw	9/16 24UNEF	no	no	no	9/16 24UNEF	no	no	no	No	No cover	no	
NO (7/16 24UNS)	Fitted 2 holes D=1,5mm	yes	captured	9/16 24UNEF	fitted	9/16 24UNEF	no	3/8 18NPT	fitted	9/16 24UNEF	no	No	No cover	no	
NO (7/16 24UNS)	Fitted 2 holes D=1,5mm	yes	captured screw	9/16 24UNEF	no	no	no	3/8 18NPT	fitted	9/16 24UNEF	no	No	No cover	no	
7/16 24UNS, Ø1/4, 21 mm long	Fitted - undrilled	yes	captured screw	3/8 NPT	fitted	3/8 NPT	no	3/8 NPT	no	3/8 NPT	fitted	Screens in side outlet	No cover	no	
7/16 24UNS, Ø 3/16, 15 mm long	Fitted 2 holes D=1,5mm	yes	captured screw	3/8 NPT	fitted	3/8 NPT	no	3/8 NPT	fitted	3/8 NPT	no	Screen in bottom outlet	No cover	no	
7/16 24UNS, Ø 3/16, 15 mm long	Fitted 2 holes D=1,5mm	yes	captured screw	3/8 NPT	fitted	3/8 NPT	no	3/8 NPT	fitted	3/8 NPT	no	Screen in bottom outlet	No cover	no	



Codes	Valve working temperature range [°C]	RoHS Version	Valve configuration	TC + MU			SETTINGS				THERMOSTAT		
				Thermocouple connection (M)	ECO connection	Interlock	Magnet Unit [Drop out- hold in current, mA]	Maximum Flow adjuster	Pressure regulator	Minimum flow setting screw (D) [mm]	Thermostat range [°C]	Bulb dimensions (D, L) [mm]	Capillary dimensions (L) [mm]
0630551	0-80	A	M8x1	No	no	>40 <200	Plug allum. fitted 0972067 (80°C)	Not Fitted	Not fitted	13÷48	8x95	1050	
0630555	0-80	A	M8x1	No	yes	40 120	Plug allum. fitted 0972067 (80°C)	Not Fitted	Not fitted	13÷48	8x95	1050	
0630561	0-80	C	M8x1	No	yes	>80 <200	Plug 3/8 brass fitted 0972058	Po=3,5" Pi=7" Q=38.000 BTU/h for NG	Fitted D=2x2,4	manual	/	/	
0630562	0-80	C	M8x1	No	yes	>80 <200	Plug 3/8 brass fitted 0972058	10"(Pi=12" Q=37.000BTU/h) for LPG	Fitted D=1,85	manual	/	/	
0630563	0-80	C	M8x1	No	yes	40 120	Plug 3/8 brass fitted 0972058	10"(Pi=12" Q=26.000BTU/h) for LPG	Fitted D=1,6	manual	/	/	
0630564	0-80	C	M8x1	No	yes	>80 <200	Plug 3/8 brass fitted 0972058	Po=3,5" Pi=7" Q=27.000 BTU/h for NG	Fitted D=2,5	manual	/	/	
0630566	0-80	A	11/32" ASA	No	no	>65 < 170	Plug allum. fitted 0972067 (80°C)	Not Fitted	Plug 0972057	21÷46	8x120	1050	
0630567	0-80	A	M8x1	No	no	>40 <200	Plug allum. fitted 0972067 (80°C)	Not Fitted	Not fitted	13÷48	8x95	1050	
0630568	0-80	A	M8x1	No	yes	>40 <200	Plug 3/8 brass fitted 0972058	Not Fitted	Plug 0972057	13÷48	8x95	1050	
0630569	0-80	A	M8x1	No	yes	>80 <200	Not fitted	Po=3,5" Pi=7" Q=27.000 BTU/h for NG	Fitted D=2,5	13÷48	8x95	1050	
0630571	0-80	A	M8x1	No	yes	>80 <200	Not fitted	Po=10" Pi=12" Q=18.000 BTU/h for LPG	Fitted D=1,6	13÷48	8x95	1050	
0630700	0-80	D	M9x1	No	no	>40 <200	FA Fitted 0945198 (80 °C)	Not Fitted	Minimum screw without hole	13÷38	8x120	1050	

PILOT			INLET					OUTLET					COVER		
Pilot connection	Pilot rate screw	Pilot Stop Knob	PTP	side thread	side plug	bottom thread	bottom plug	side thread	side plug	bottom thread	bottom plug	Plug on the box	outlet screen	Cover Piezo	zundsperre 7100326

7/16 24UNS, Ø 3/16, 15 mm long	Fitted 2 holes D=1,5mm	yes	without	3/8 18npt	fitted	3/8 18npt	no	3/8 18npt	fitted	3/8 18NPT	no	No	No cover	no
NO (7/16 24UNS)	Fitted 2 holes D=1,5mm	yes	captured screw	3/8 NPT	no	3/8 NPT	no	3/8 NPT	no	3/8 NPT	no	N° 1 in the box	No cover	no
7/16 24UNS, Ø 3/16, 15 mm long	Fitted 2 holes D=1,5mm	yes	captured screw	3/8 NPT	fitted	3/8 NPT	no	3/8 NPT	no	3/8 NPT	fitted	Screen in bottom outlet	No cover	no
7/16 24UNS, Ø 3/16, 15 mm long	Fitted 2 holes D=1,5mm	yes	captured screw	3/8 NPT	fitted	3/8 NPT	no	3/8 NPT	no	3/8 NPT	fitted	Screen in bottom outlet	No cover	no
7/16 24UNS, Ø 3/16, 15 mm long	Fitted 2 holes D=1,5mm	yes	captured screw	3/8 NPT	fitted	3/8 NPT	no	3/8 NPT	no	3/8 NPT	fitted	Screen in bottom outlet	No cover	no
7/16 24UNS, Ø 3/16, 15 mm long	Fitted 2 holes D=1,5mm	yes	captured screw	3/8 NPT	fitted	3/8 NPT	no	3/8 NPT	no	3/8 NPT	fitted	Screen in bottom outlet	No cover	no
7/16 24UNS, Ø 1/4, 21 mm long	Fitted - undrilled	yes	captured screw	3/8 NPT	no	3/8 NPT	fitted	3/8 NPT	fitted	3/8 NPT	no	Screen in bottom outlet	No cover	no
NO (7/16 24UNS)	Without hole for pilot screw	yes	captured	3/8 NPT	fitted	1/2" UNF	no	3/8 NPT	fitted	1/2" UNF	no	No	No cover	no
7/16 24UNS, Ø 3/16, 15 mm long	Fitted 2 holes D=1,5mm	yes	captured screw	3/8 18npt	fitted	1/2 20unf	no	3/8 18npt	fitted	1/2 20unf	no	No	No cover	no
7/16 24UNS, Ø 3/16, 15 mm long	Fitted 2 holes D=1,5mm	yes	captured screw	3/8 NPT	fitted	3/8 NPT	no	3/8 NPT	no	3/8 NPT	fitted	Screen in bottom outlet	No cover	no
7/16 24UNS, Ø 3/16, 15 mm long	Fitted 2 holes D=1,5mm	yes	captured screw	3/8 NPT	fitted	3/8 NPT	no	3/8 NPT	no	3/8 NPT	fitted	Screen in bottom outlet	No cover	no
NO (M10x1)	Fitted - undrilled	yes	standard	3/8 Rp	no	3/8 Rp	fitted	3/8 Rp	fitted	3/8 Rp	no	No	Plus version, black cover+piezo	yes



Codes	Valve working temperature range [°C]	RoHS Version	Valve configuration	TC + MU			SETTINGS				THERMOSTAT		
				Thermocouple connection (M)	ECO connection	Interlock	Magnet Unit [Drop out- hold in current, mA]	Maximum Flow adjuster	Pressure regulator	Minimum flow setting screw (D) [mm]	Thermostat range [°C]	Bulb dimensions (D, L) [mm]	Capillary dimensions (L) [mm]
0630703	0-80	A	M9x1	No	yes	>40 <200	FA Fitted 0945198 (80 °C)	Not Fitted	Minimum screw without hole	13÷38	8x120	1050	
0630704	0-80	D	M10x1	No	yes	>40 <200	FA Fitted 0945198 (80 °C)	Not Fitted	Fitted D=1,6	13÷38	8x120	1050	
0630706	0-80	D	M10x1	No	yes	>40 <200	FA Fitted 0945198 (80 °C)	Not Fitted	Fitted D=1,6	13÷38	8x120	1050	
0630707	0-80	D	M10x1	No	no	>40 <200	FA Fitted 0945198 (80 °C)	Not Fitted	Fitted D=1,4	13÷38	8x120	1050	
0630708	0-80	D	M10x1	No	no	>40 <200	FA Fitted 0945198 (80 °C)	Not Fitted	Minimum screw without hole	13÷38	8x120	1050	
0630712	0-80	D	M10x1	No	yes	>40 <200	FA Fitted 0945198 (80 °C)	Not Fitted	Minimum screw without hole	13÷38	8x120	1050	
0630714	0-80	D	M10x1	No	yes	>40 <200	Not fitted	3-18 mbar	Fitted D=1,70	13÷38	8x120	1050	
0630715	0-80	D	M10x1	No	yes	>40 <200	Not fitted	3-18 mbar	Fitted D=1,70	8÷33	8x120	1050	
0630801	0-80	A	M9x1	No	yes	>40 <200	Not fitted	10mbar(Pi=12" Q=800l/h) for NG	Fitted D=2,10	13÷38	8x120	1050	
0630802	0-80	A	M9x1	No	yes	>40 <200	Standard Pressure regulator 3-18 mbar	10mbar(Pi=20 mbar Q=2000l/h) for NG	Minimum screw without hole	40÷90	8x95	1000	
0630803	0-80	A	M9x1	No	yes	>40 <200	Standard Pressure regulator 3-18 mbar	10mbar(Pi=20 mbar Q=2000l/h) for NG	Minimum screw without hole	40÷90	8x95	1000	
0630804	0-80	A	11/32" ASA	Fitted 82°C calibration	yes	>40 <200	27,4 mbar (Pi=30 mbar / Red sticker) for LPG	no	Minimum screw without hole	27÷65	8x72	240	

PILOT			INLET					OUTLET					COVER		
Pilot connection	Pilot rate screw	Pilot Stop Knob	PTP	side thread	side plug	bottom thread	bottom plug	side thread	side plug	bottom thread	bottom plug	Plug on the box	outlet screen	Cover Piezo	zundspere 7100326

NO (M10x1)	Fitted - undrilled	yes		3/8 Rp	fitted	3/8 Rp	no	3/8 Rp	fitted	3/8 Rp	no	No	Plus version, black cover+piezo	no	
										3/8 Rp	no				
NO (M10x1)	Fitted - undrilled	yes	standard	3/8 Rp	fitted	3/8 Rp	no	3/8 Rp	fitted	3/8 Rp	no	No	Plus version, black cover+piezo	no	
										3/8 Rp	no				
NO (M10x1)	Fitted - undrilled	yes		3/8 Rp	no	3/8 Rp	no	3/8 Rp	no	3/8 Rp	no	2	No	Plus version, black cover+piezo	no
										3/8 Rp	no				
NO (M10x1)	Fitted - undrilled	yes		3/8 Rp	no	3/8 Rp	no	3/8 Rp	no	3/8 Rp	no	2	No	Plus version, black cover+piezo	yes
										3/8 Rp	no				
NO (M10x1)	Fitted - undrilled	yes	standard	3/8 Rp	fitted	3/8 Rp	no	3/8 Rp	fitted	3/8 Rp	no	No	Plus version, black cover+piezo	yes	
NO (M10x1)	Fitted - undrilled	yes	standard	3/8 Rp	no	3/8 Rp	fitted	3/8 Rp	no	3/8 Rp	fitted	No	Plus Europe version, black cover+electric push botton	no	
NO (M10x1)	Fitted - undrilled	yes	standard	3/8 Rp	fitted	3/8 Rp	no	3/8 Rp	no	3/8 Rp	fitted	No	Plus Europe version, sand cover without piezo	no	
NO (M10x1)	Fitted - undrilled	yes	standard	3/8 Rp	fitted	3/8 Rp	no	3/8 Rp	no	3/8 Rp	fitted	No	Black cover without hole for piezo	no	
M10x1, Ø1/4, 16 mm long	Fitted - undrilled	no	Standard screws	3/8 Rp	no	3/8 Rp	fitted	3/8 Rp	no	3/8 Rp	fitted	No	No cover	no	
NO (7/16 24UNS)	Fitted - undrilled	no		3/8 Rp	no	3/8 Rp	no	3/8 Rp	no	3/8 Rp	no	2	Sand cover + Piezo	no	
NO (7/16 24UNS)	Fitted - undrilled	no		3/8 Rp	no	3/8 Rp	no	3/8 Rp	no	3/8 Rp	no	2	Sand cover + Piezo	no	
M10x1, Ø1/4, 16 mm long	Fitted - undrilled	yes	Standard screws	3/8 18npt	no	3/8 18npt	no	3/8 18npt	yes	3/8 18npt	no			no	